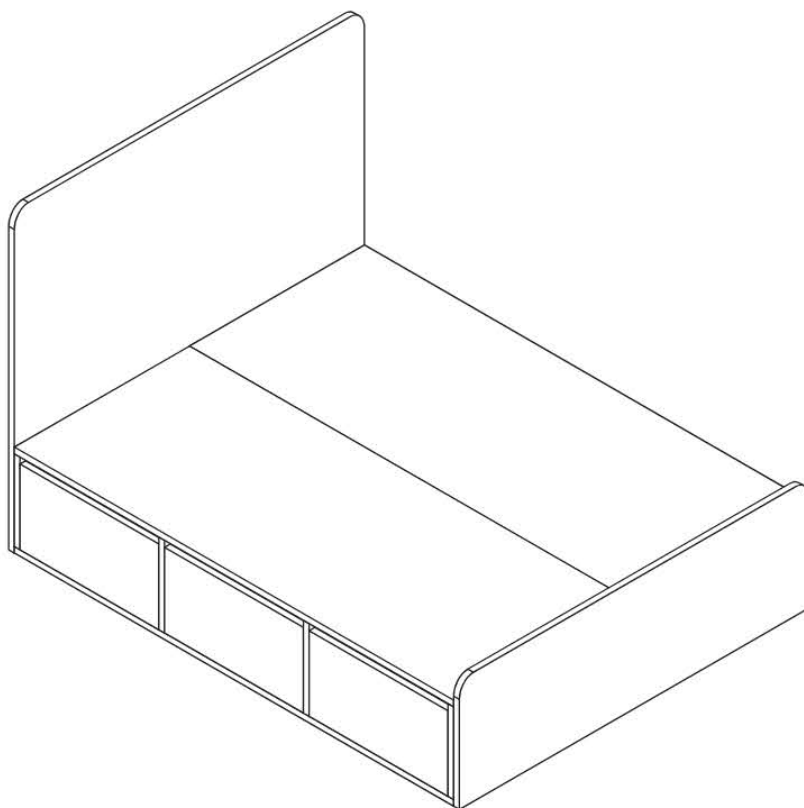


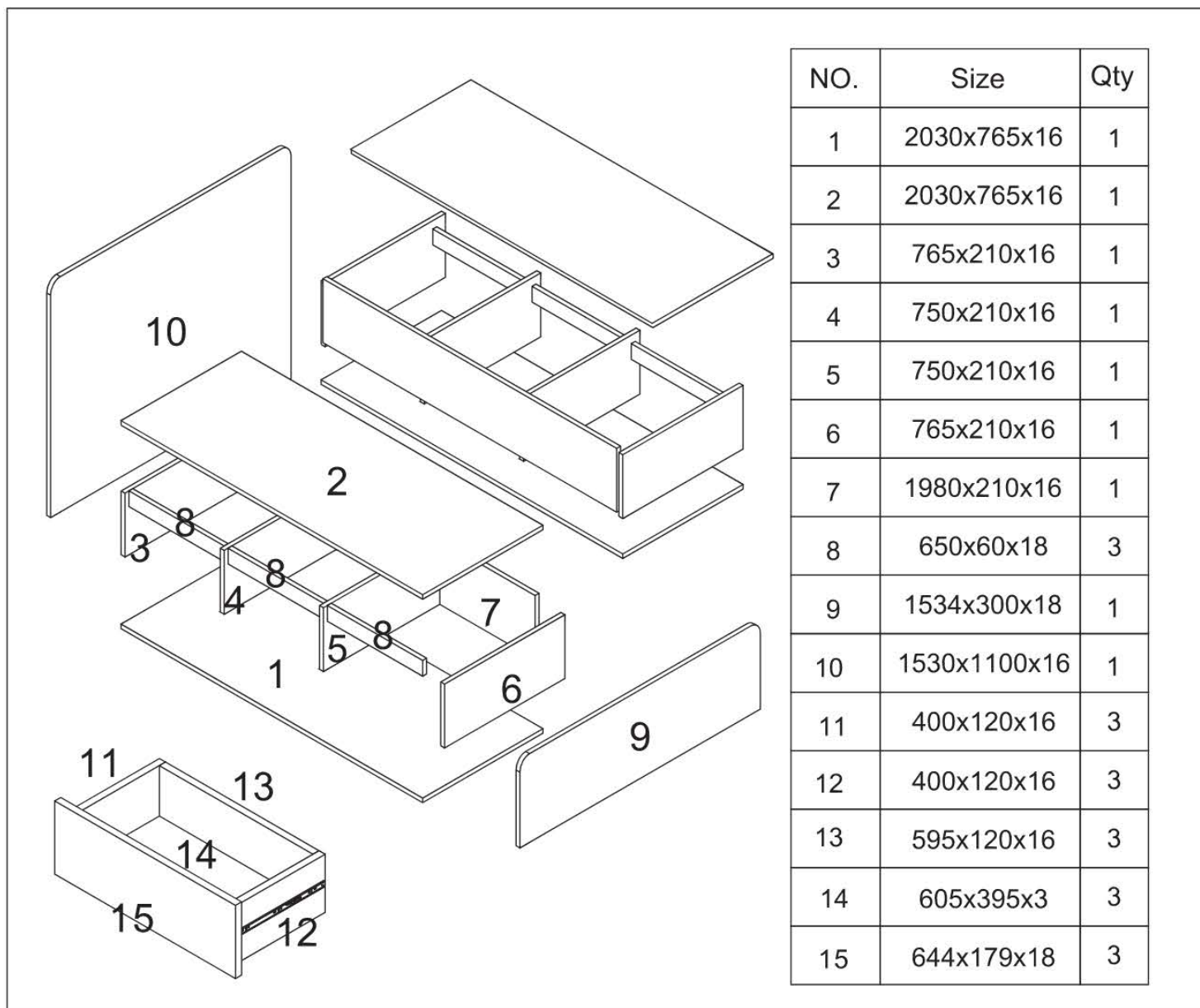
PRODUCT NAME

RENO 6 DRAWER BED


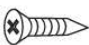



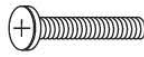



EN

1. Identify the parts which make up your piece of furniture.
 2. Gather the hardware parts and count them.
 3. Have the necessary assembly tools ready.
 4. Organize a space for assembly, wall carpeting or a blanket will protect the furniture against scratches.
 5. Never force the assembling while you put the parts together. You are recommended to tighten the screws after the furniture has been used for some time.
 6. After assembling this product, it is advisable to regularly ventilate the room for a few days.
- KEEP THE ASSEMBLY INSTRUCTION. THE RELEVANT INFORMATION YOU CAN FIND ON IT WILL HELP YOU GET IN TOUCH WITH YOUR STORE IF A PART WAS TO BE MISSING.



NO.	Size	Qty
1	2030x765x16	1
2	2030x765x16	1
3	765x210x16	1
4	750x210x16	1
5	750x210x16	1
6	765x210x16	1
7	1980x210x16	1
8	650x60x18	3
9	1534x300x18	1
10	1530x1100x16	1
11	400x120x16	3
12	400x120x16	3
13	595x120x16	3
14	605x395x3	3
15	644x179x18	3

<p>A</p>  <p>41mm x48</p>	<p>B</p>  <p>ø3.5*16mm x36</p>	<p>C</p>  <p>ø3.5*40mm x12</p>	<p>D</p>  <p>250mm x6</p>	<p>E</p>  <p>x12</p>
<p>F</p>  <p>6x35mm x4</p>	<p>G</p>  <p>x4</p>			



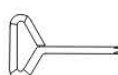
SET-UP TIME: 30 MINUTE



OUTILLAGE:
TOOLS:

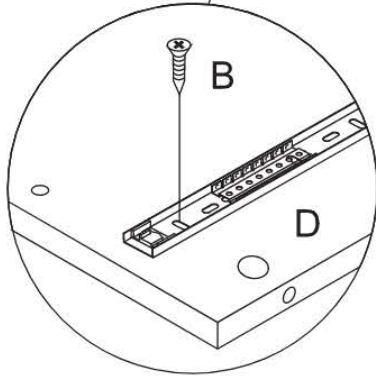
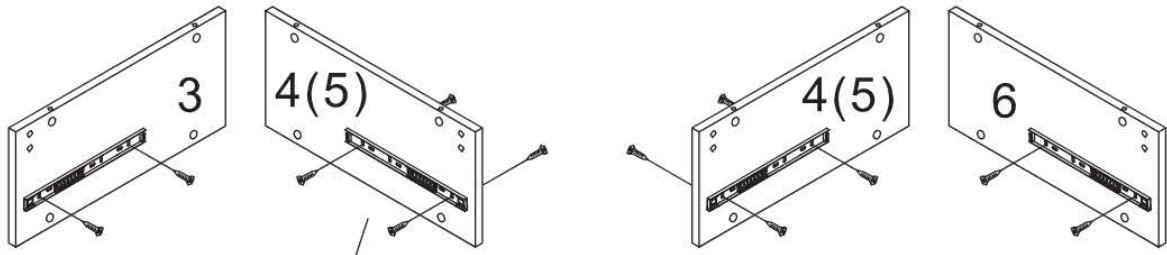


NUMBER OF PERSONS: 02



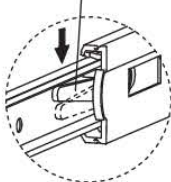
screw driver or drill

1

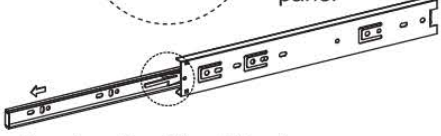


Slide instructions



Remove the control lock



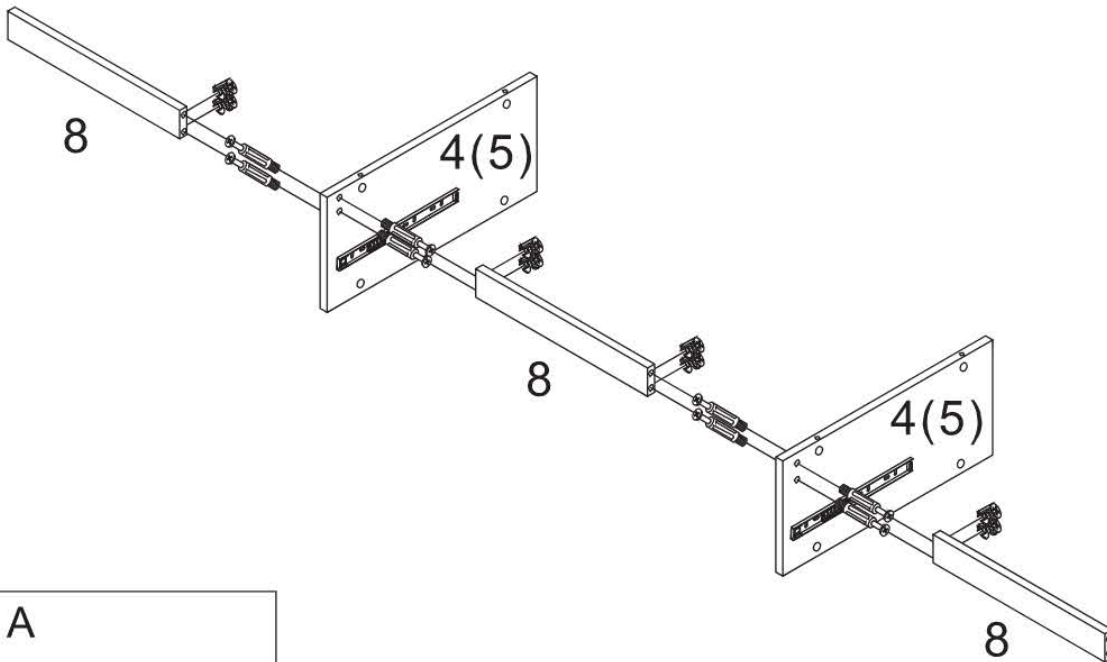
Fixed to side panel



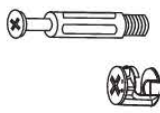
Fixed on the side of the drawer

<p>B</p>  <p>x12</p>	<p>D</p>  <p>x6</p>
--	--

2



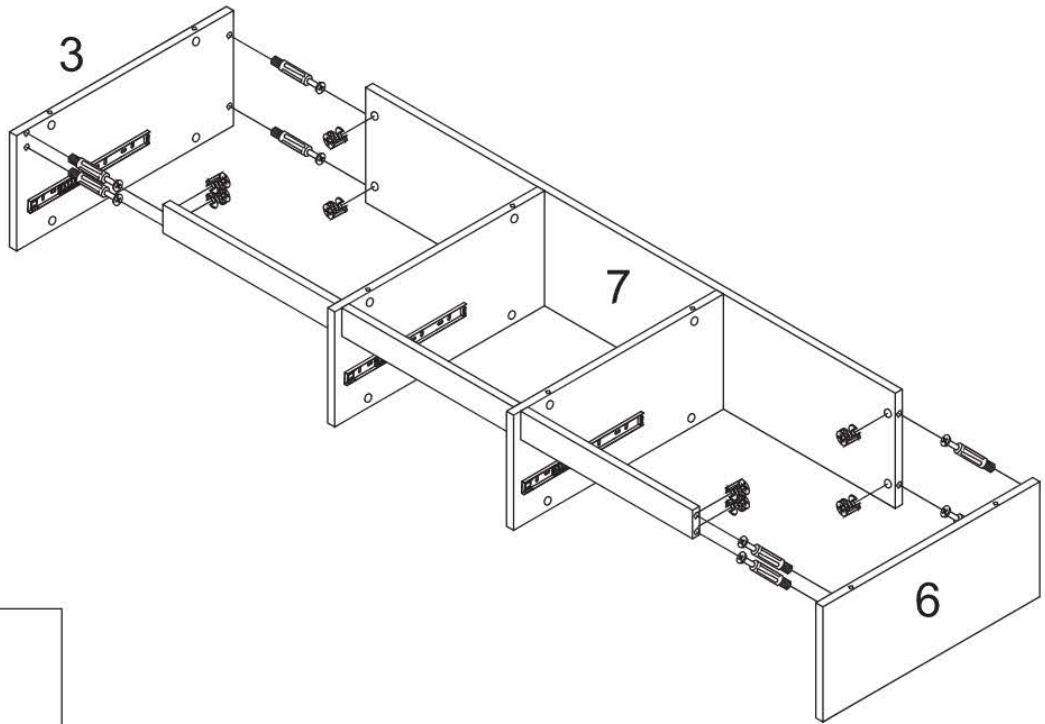
A



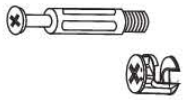
x8

x1

3



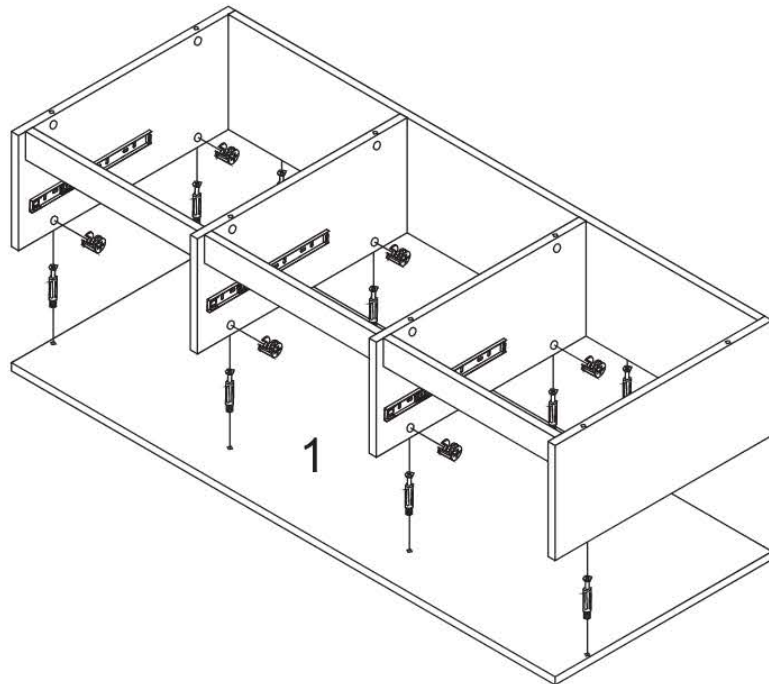
A



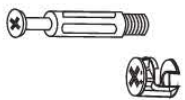
x8

x1

4



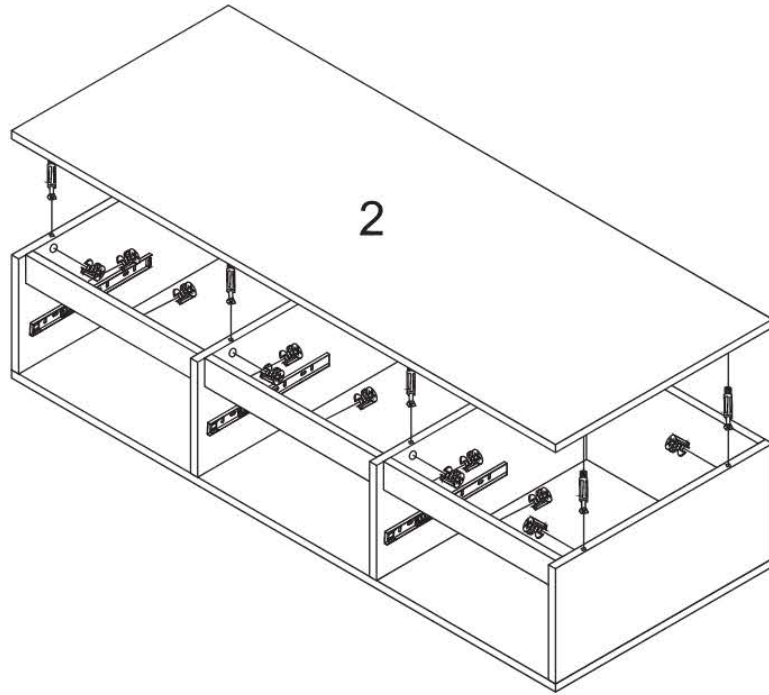
A



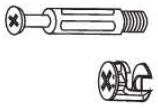
x10

x1

5



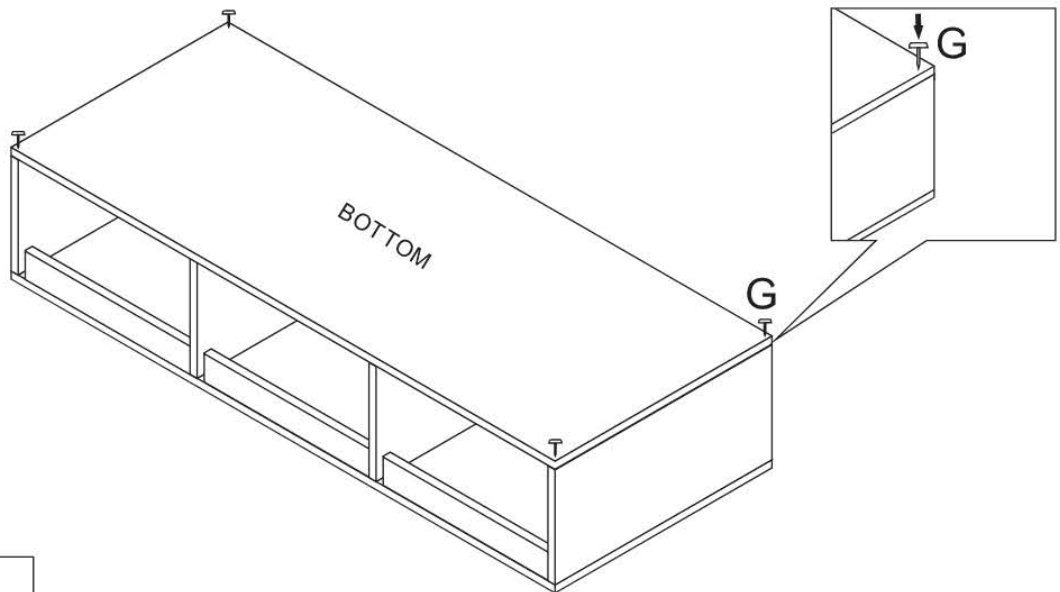
A



x10

x1

6



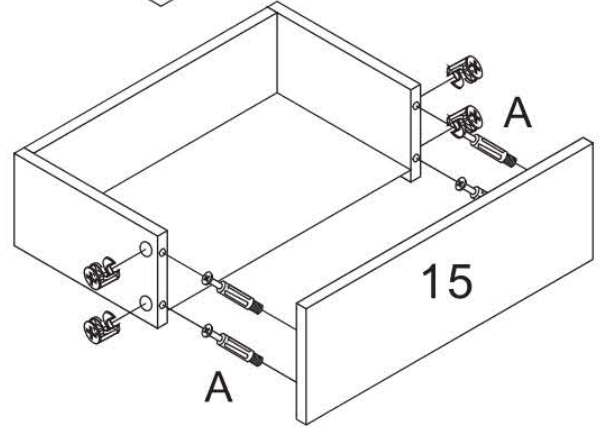
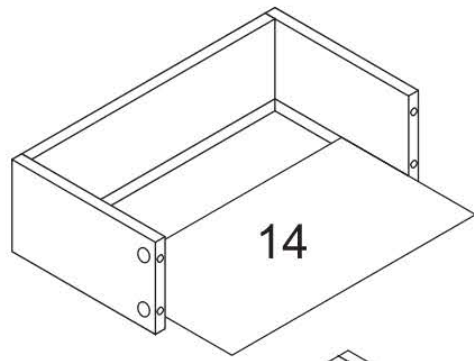
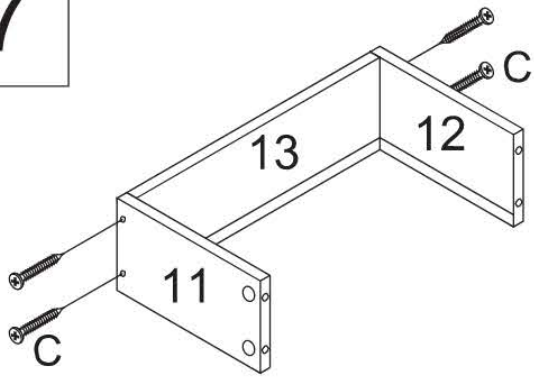
G



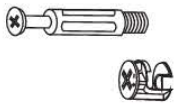
x4

x1

7



A



x12

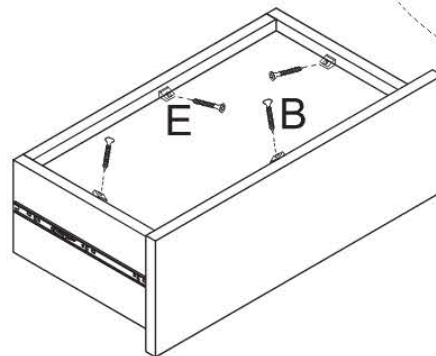
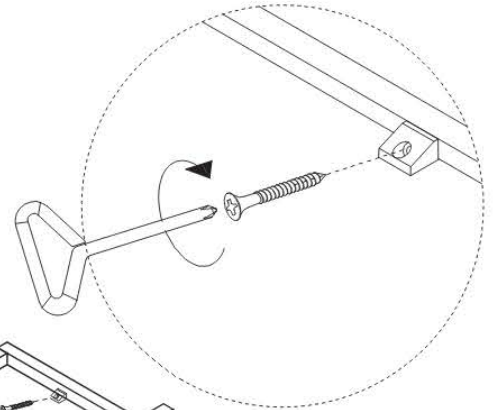
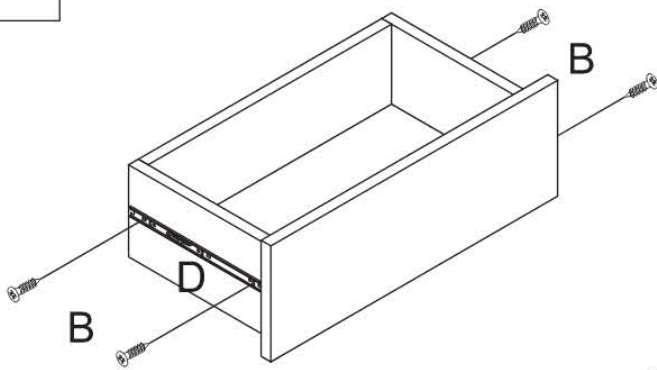
C



x12

x3

8



B



x24

D



x6

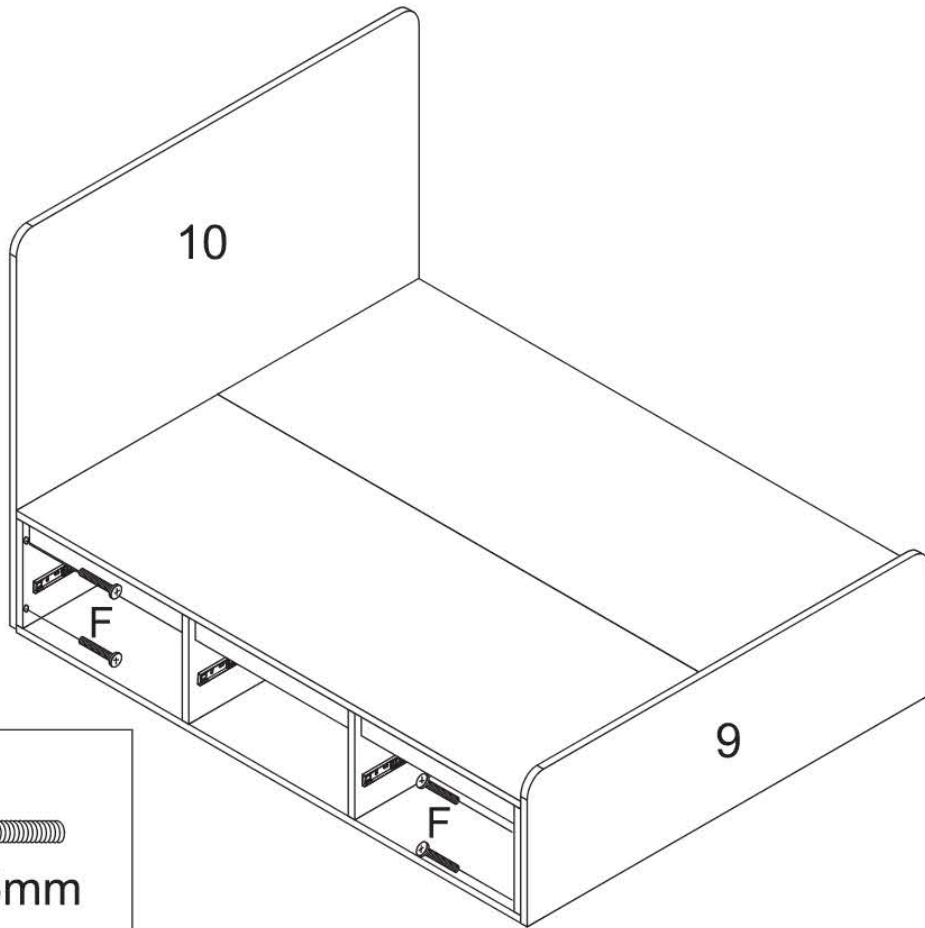
E



x12

x3

9



F



6x35mm

x4

